

Date of Issue: September 2018

Affected Publication: API Specification 20A, Carbon Steel, Alloy Steel, Stainless Steel, and Nickel Base Alloy Castings for Use in the Petroleum and Natural Gas Industry, Second Edition, August 2017

## Addendum 1

Page 10: Figure 4 shall be replaced with the following:

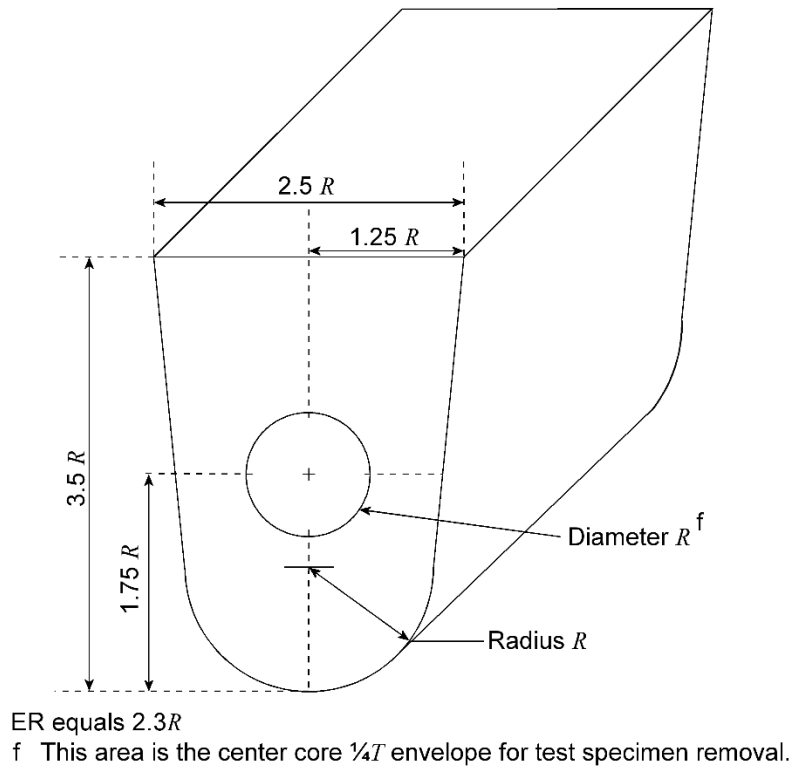
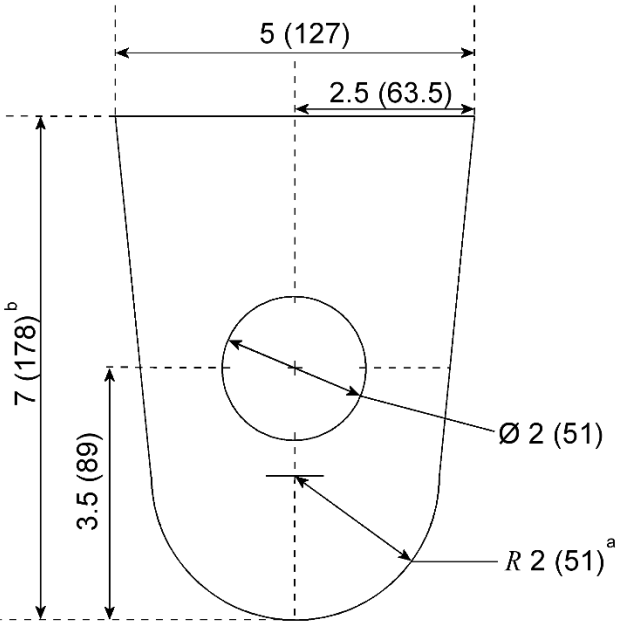


Figure 4—Equivalent Round Models—Keel Block Configuration

Page 11: Figure 5 shall be replaced with the following:



To develop a keel block for ER = 4.6 in. (117mm), see footnotes:

<sup>a</sup> Noting from Figure 4 that ER = 2.3 R, then R = ER/2.3 = 2 in. (51mm)

<sup>b</sup> Construct keel block as illustrated in Figure 4 using multiples of R.

**Figure 5—Example of Development of Keel Block Dimensions**