

Date of Issue: August 2016

Affected Publication: API Specification 6A, *Specification for Wellhead and Christmas Tree Equipment*, Twentieth Edition, October 2010

ERRATA 10

(including changes from Errata 1, January 2011; Errata 2, November 2011; Errata 3, June 2013; Errata 4, August 2013; Errata 5, November 2013; Errata 6, March 2014; Errata 7, December 2014; Errata 8, February 2016; and Errata 9 [correction], June 2016)

ERRATA 8 published in June 2016 should have been published as **ERRATA 9**; the PDF version of the **ERRATA 8**, June 2016 document has been updated to **ERRATA 9**.

ERRATA 8, February 2016, and ERRATA 9, June 2016, Page 91, Table 33 and Table 34, change:

text

to

test

Page vii, Table of Contents, change:

Annex O (informative) API Regional Annex

to

Annex O (normative) API Regional Annex

Page 67, Table 17, change:

| | | | | |
|----------------|-----------|-----------|-----------|-----------|
| Impact Testing | 7.4.2.1.2 | 7.4.2.1.2 | 7.4.2.1.2 | 7.4.2.1.2 |
|----------------|-----------|-----------|-----------|-----------|

to

| | | | | |
|----------------|-----------|-----------|-----------|-----------|
| Impact Testing | 7.4.2.1.2 | 7.4.2.2.2 | 7.4.2.3.2 | 7.4.2.4.2 |
|----------------|-----------|-----------|-----------|-----------|

Page 69, 7.4.2.2.12 a), change to read:

100% of all pressure-containing fabrication welds and weld overlay shall be examined by either magnetic-particle (in the case of ferromagnetic materials) or liquid-penetrant (in the case of **ferromagnetic or** non-ferromagnetic materials) methods after all welding, post-weld heat treatment and machining operations.

Page 87, Table 30, insert the following footnote at the end of the table:

Note: Due to SI unit conversion methods noted in Annex B, the drift dimensions in millimeters may have interference if used for drifting equipment manufactured to USC bore sizes, measured in inches. It is recommended that the units of measure used for the drift diameter D_1 be consistent with the units used for manufacturing equipment to be drift tested.

Page 89, **7.4.9.4.5**, change:

The following apply:

to

For PSL 2 and PSL 3G, the following apply:

Page 91, **Table 33**, change:

| | | | | | | |
|-----------------------------|------|-----------|-----------|-----------|-----------|-----------|
| Hydrostatic test | body | 7.4.9.3.3 | 7.4.9.3.3 | — | — | — |
| | seat | 7.4.9.3.5 | 7.4.9.4.5 | — | — | — |
| Hydrostatic test (extended) | body | — | — | 7.4.9.5.4 | 7.4.9.5.4 | 7.4.9.5.4 |
| | seat | — | — | 7.4.9.5.6 | 7.4.9.5.6 | 7.4.9.5.6 |

to

| | | | | | | |
|-----------------------------|------|-----------|-----------|-----------|------------------|-----------|
| Hydrostatic test | body | 7.4.9.3.3 | 7.4.9.3.3 | — | — | — |
| | seat | 7.4.9.3.5 | 7.4.9.4.5 | — | 7.4.9.4.5 | — |
| Hydrostatic test (extended) | body | — | — | 7.4.9.5.4 | 7.4.9.5.4 | 7.4.9.5.4 |
| | seat | — | — | 7.4.9.5.6 | — | 7.4.9.5.6 |

Page 91, **Table 34**, change:

| | | | | | | |
|-----------------------------|------|-----------|-----------|-----------|-----------|-----------|
| Hydrostatic test | body | 7.4.9.3.3 | 7.4.9.3.3 | — | — | — |
| | seat | 7.4.9.3.5 | 7.4.9.4.5 | — | — | — |
| Hydrostatic test (extended) | body | — | — | 7.4.9.5.4 | 7.4.9.5.4 | 7.4.9.5.4 |
| | seat | — | — | 7.4.9.5.6 | 7.4.9.5.6 | 7.4.9.5.6 |

to

| | | | | | | |
|-----------------------------|------|-----------|-----------|-----------|------------------|-----------|
| Hydrostatic test | body | 7.4.9.3.3 | 7.4.9.3.3 | — | — | — |
| | seat | 7.4.9.3.5 | 7.4.9.4.5 | — | 7.4.9.4.5 | — |
| Hydrostatic test (extended) | body | — | — | 7.4.9.5.4 | 7.4.9.5.4 | 7.4.9.5.4 |
| | seat | — | — | 7.4.9.5.6 | — | 7.4.9.5.6 |

Page 96, **7.4.10.1.2 c)**, change the reference in the second sentence from:

Table 48 and Table B.48

to

Table 61 and Table B.61

Page 102, change title from:

7.4.11 Bullplugs, valve-removal plugs and back-pressure valves (see Table 26)

to

7.4.11 Bullplugs, valve-removal plugs and back-pressure valves (see Table **38**)

Page 121, Table 49:

Change “tol.” column values for **Outside diameter of flange** to be “±” the stated value.

Page 124, Table 50:

Change “tol.” column values for **Outside diameter of flange** to be “±” the stated value.

Page 162, Table 63 (continued), line R 57, change the **Width of Flat of Octagonal Ring (C)** value from:

7,79

to

7,75

Page 198, Table 87 (continued):

The first two columns, for **13,8 MPa**, **20,7 MPa**, and **34,5 MPa**, should read as follows:

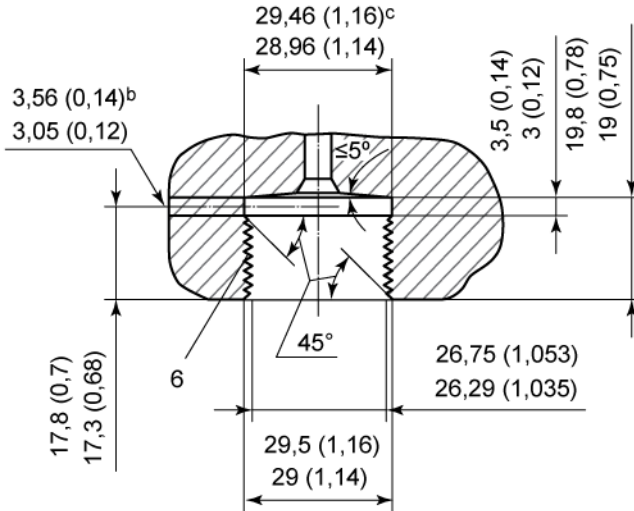
| Nominal size and bore | |
|-----------------------|-----------------|
| Vertical B_V | Outlet B_0 |
| +0,8 0 | +0,8 0 |
| 13,8 MPa | |
| 52 | 52 |
| 65 | 52 |
| 65 | 65 |
| 79 | 52 |
| 79 | 65 |
| 79 | 79 |
| 103 | 52 |
| 103 | 65 |
| 103 | 79 |
| 103 | 103 |
| 20,7 MPa | |
| 79 | 52 |
| 79 | 65 |
| 79 | 79 |
| 103 | 52 |
| 103 | 65 |
| 103 | 79 |
| 103 | 103 |
| 34,5 MPa | |
| 52 | 52 |
| 65 | 52 |
| 65 | 65 |
| 79 | 52 |
| 79 | 65 |
| 79 | 79 |
| 103 | 52 |
| 103 | 65 |
| 103 | 79 |
| 103 | 103 |
| 130 | 52 |
| 130 | 65 |
| 130 | 79 |
| 130 | 103 |
| 130 | 130 |

Page 200, Table 88 (continued):

The first two columns, for **13,8 MPa**, **20,7 MPa**, and **34,5 MPa**, should read as follows:

| Nominal size and bore | |
|--------------------------------|------------------------------|
| Vertical B_V +0,8 0 | Outlet B_O +0,8 0 |
| 13,8 MPa | |
| 52 | 52 |
| 65 | 52 |
| 65 | 65 |
| 79 | 52 |
| 79 | 65 |
| 79 | 79 |
| 103 | 52 |
| 103 | 65 |
| 103 | 79 |
| 103 | 103 |
| 20,7 MPa | |
| 79 | 52 |
| 79 | 65 |
| 79 | 79 |
| 103 | 52 |
| 103 | 65 |
| 103 | 79 |
| 103 | 103 |
| 34,5 MPa | |
| 52 | 52 |
| 65 | 52 |
| 65 | 65 |
| 79 | 52 |
| 79 | 65 |
| 79 | 79 |
| 103 | 52 |
| 103 | 65 |
| 103 | 79 |
| 103 | 103 |
| 130 | 52 |
| 130 | 65 |
| 130 | 79 |
| 130 | 103 |
| 130 | 130 |

Page 202, **Figure 19 d)**, replace with the following:



d) Female preparation

Key

- 1 collar
- 2 gland
- 3 plug
- 4 male by male
- 5 coupling
- 6 1¹/₈ - 12 UNF-2B

- a Minimum depth perfect female thread.
- b Drill for vent optional but recommended.
- c 15,7 (0.62) minimum thread length or undercut to thread relief as an option.

Page 218, **Section 10.19.9**, delete the following:

“and shall be equipped with a bleeder plug”

Page 272, **Table B.55** (continued), change:

| 10 000 psi | | | | | | | | | | |
|------------|------|-------|--------|------|------|------|------|------|------|------|
| 5 1/8 | 5,16 | 14,06 | ± 0,06 | 0,12 | 8,69 | 3,13 | 8,81 | 7,19 | 3,19 | 0,38 |

to

| 10 000 psi | | | | | | | | | | |
|------------|------|-------|--------|------|------|-------------|------|------|------|------|
| 5 1/8 | 5,16 | 14,06 | ± 0,06 | 0,12 | 8,69 | 3,12 | 8,81 | 7,19 | 3,19 | 0,38 |

Page 277, **Table B.57** (continued), change:

| 10 000 psi | | | | | | | | | | |
|------------|------|-------|--------|------|------|------|------|------|------|------|
| 5 1/8 | 5,16 | 14,06 | ± 0,06 | 0,12 | 8,69 | 3,13 | 8,81 | 7,19 | 3,19 | 0,38 |

to

| 10 000 psi | | | | | | | | | | |
|------------|------|-------|--------|------|------|-------------|------|------|------|------|
| 5 1/8 | 5,16 | 14,06 | ± 0,06 | 0,12 | 8,69 | 3,12 | 8,81 | 7,19 | 3,19 | 0,38 |

Page 319, **Table F.1**, change Valves, gate and plug / Allowable leakage to:

30 cm³/hr/25,4 mm of nominal bore size

Page 319, **Table F.1**, change Hangers / Allowable leakage to:

10 cm³/hr/25,4 mm of nominal bore size

Page 355, **Table G.4**, remove the following row:

| | | | |
|--------------------------------------|------|------|------|
| ASTM A453/453M Gr660 (UNS S66286) | 0,99 | 0,95 | 0,97 |
|--------------------------------------|------|------|------|

Page 383, **Section K.9**, delete the second sentence:

“Top connectors shall be shipped with a bleeder plug.”

Page 393, **Table K.5**, fifth row, **Seals** column, replace:

SAE AS 568-436-90 FKM

with

SAE AS 568-435-90 FKM